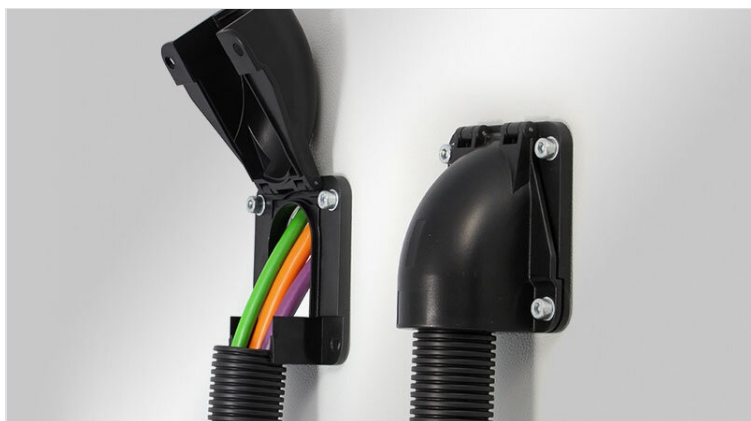


CONFIX™ FWS bulkhead fittings for cable protection conduits

suitable for conduit screw connections or direct conduit pickup / IP54



The 90° angled conduit fitting CONFIX™ FWS is for installation of parallel corrugated cable protection conduits, e.g. in machines, control panels or control cabinets.

The liftable cover is tightly fixed by a hinge.

Therefore, the system is fast and easy to install.

CONFIX™ FWS is offered in the following versions:

- CONFIX™ FWS-A with metric internal thread M16 to M50
- CONFIX™ FWS-B with a grooved conduit clip for types with sizes NW 13, 17, 23, 29, 37 and 50

The available colours are grey (RAL 7011) and black (RAL 9001).

IP54

RoHS
compliant

REACH
COMPLIANCE

Made in
Germany

Specifications

IP rating (EN 60529)	IP54
Material	Polycarbonate
Flame class	UL94-V0, self-extinguishing
Operating temperature	-30 C° to 100 C°
Properties	silicone free, halogen free
Mounting options	Screw type mounting

Advantages & benefits

- Hinged cover
- Fast and easy assembly
- Functional design

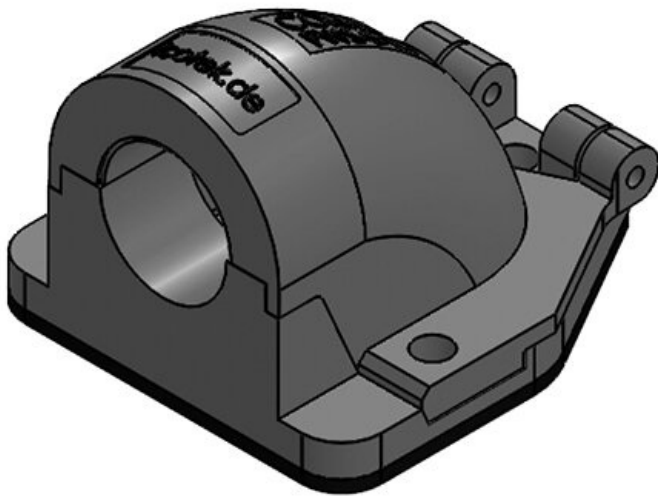
Product types & sizes

CONFIX™ FWS-A 16 bk



Part No.	31380	Colour	black
EAN	4251269300202	No. of screw holes	3
Package quantity	10	Diam. of screw holes	4,3 mm
Length	49 mm		
Width	45 mm		
Height	32 mm		
Thread	M16 x 1,5		

CONFIX™ FWS-A 16 gy



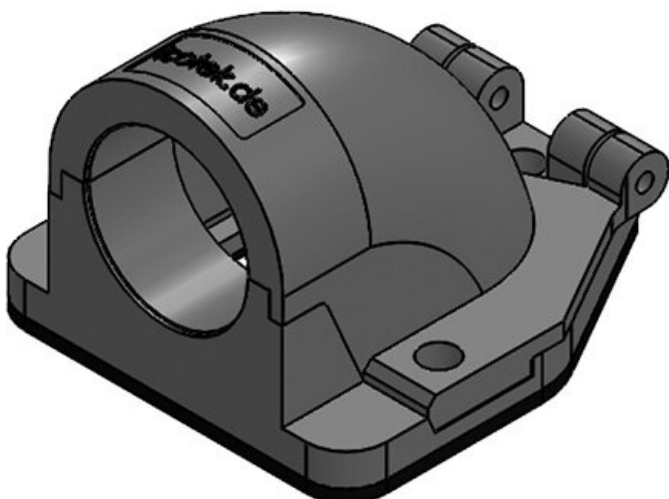
Part No.	31381	Colour	grey (RAL 7011)
EAN	4251269300219	No. of screw holes	3
Package quantity	10	Diam. of screw holes	4,3 mm
Length	49 mm		
Width	45 mm		
Height	32 mm		
Thread	M16 x 1,5		

CONFIX™ FWS-A 20 bk



Part No.	31383	Colour	black
EAN	4251269300226	No. of screw holes	3
Package quantity	10	Diam. of screw holes	4,3 mm
Length	49 mm		
Width	45 mm		
Height	32 mm		
Thread	M20 x 1,5		

CONFIX™ FWS-A 20 gy



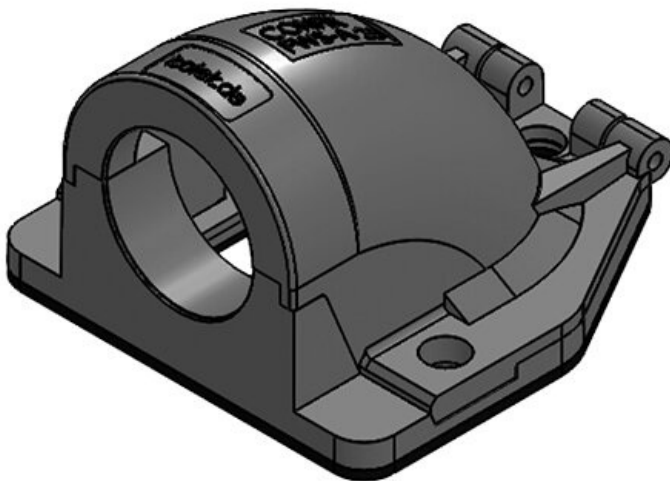
Part No.	31384	Colour	grey (RAL 7011)
EAN	4251269300233	No. of screw holes	3
Package quantity	10	Diam. of screw holes	4,3 mm
Length	49 mm		
Width	45 mm		
Height	32 mm		
Thread	M20 x 1,5		

CONFIX™ FWS-A 25 bk



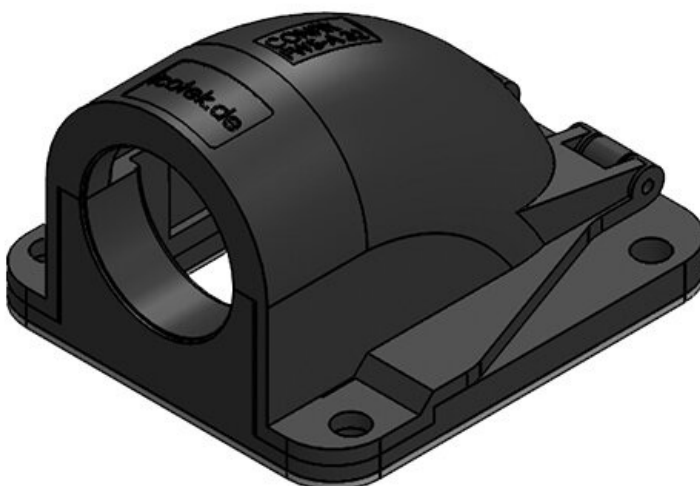
Part No.	31386	Colour	black
EAN	4251269300	No. of screw	3
	240	holes	
Package quantity	10	Diam. of screw	6,6 mm
		holes	
Length	67 mm		
Width	63 mm		
Height	41 mm		
Thread	M25 x 1,5		

CONFIX™ FWS-A 25 gy



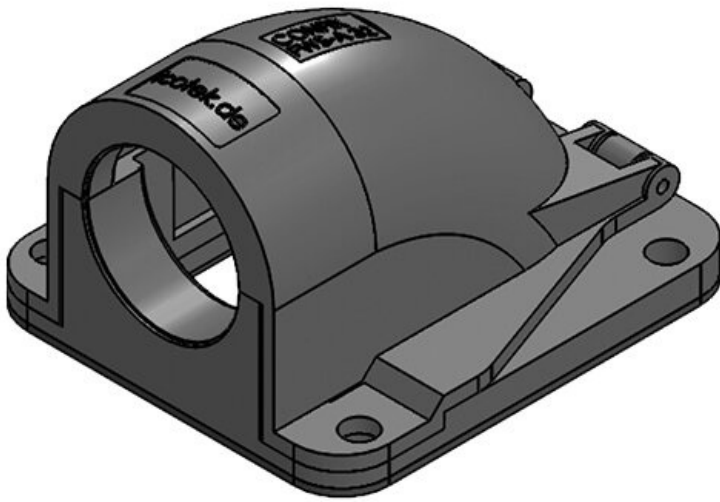
Part No.	31387	Colour	grey (RAL 7011)
EAN	4251269300	No. of screw	3
	257	holes	
Package quantity	10	Diam. of screw	6,6 mm
		holes	
Length	67 mm		
Width	63 mm		
Height	41 mm		
Thread	M25 x 1,5		

CONFIX™ FWS-A 32 bk



Part No.	31389	Colour	black
EAN	4251269300	No. of screw	4
	264	holes	
Package quantity	10	Diam. of screw	6,6 mm
		holes	
Length	85 mm		
Width	76 mm		
Height	51 mm		
Thread	M32 x 1,5		

CONFIX™ FWS-A 32 gy



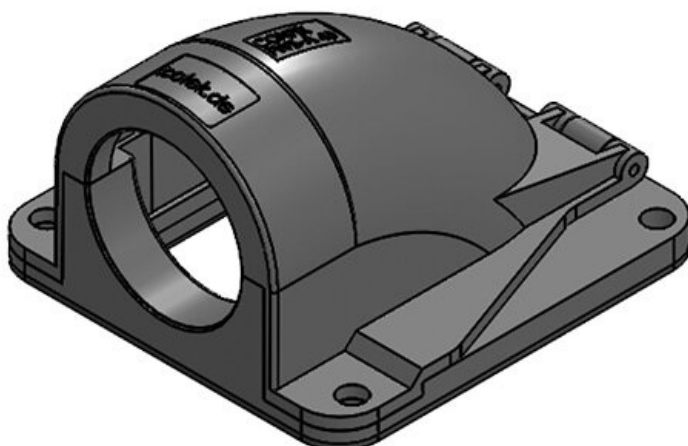
Part No.	31390	Colour	grey (RAL 7011)
EAN	4251269300	No. of screw	4
Package quantity	271	holes	
Length	10	Diam. of screw	6,6 mm
Width	85 mm	holes	
Height	76 mm		
Thread	51 mm		
	M32 × 1,5		

CONFIX™ FWS-A 40 bk



Part No.	31392	Colour	black
EAN	4251269300	No. of screw	4
Package quantity	288	holes	
Length	5	Diam. of screw	6,6 mm
Width	97 mm	holes	
Height	92 mm		
Thread	56 mm		
	M40 × 1,5		

CONFIX™ FWS-A 40 gy



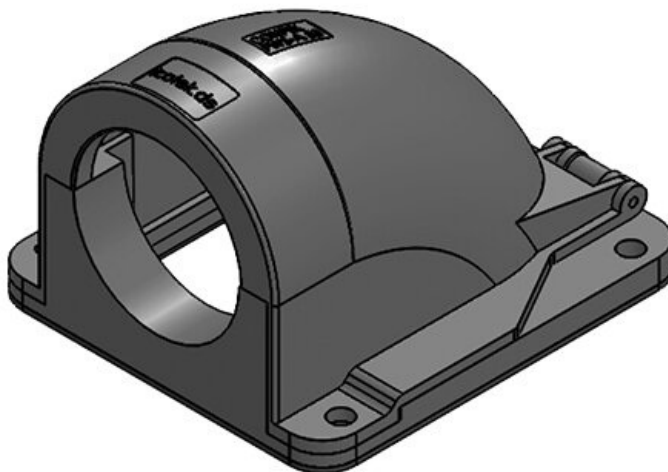
Part No.	31393	Colour	grey (RAL 7011)
EAN	4251269300	No. of screw	4
Package quantity	295	holes	
Length	5	Diam. of screw	6,6 mm
Width	97 mm	holes	
Height	92 mm		
Thread	56 mm		
	M40 × 1,5		

CONFIX™ FWS-A 50 bk



Part No.	31395	Colour	black
EAN	4251269300	No. of screw	4
	301	holes	
Package quantity	5	Diam. of screw	6,6 mm
		holes	
Length	111 mm		
Width	100 mm		
Height	73 mm		
Thread	M50 × 1,5		

CONFIX™ FWS-A 50 gy



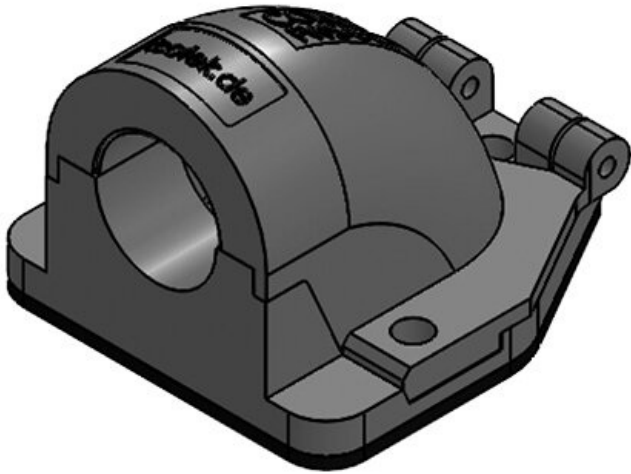
Part No.	31396	Colour	grey (RAL 7011)
EAN	4251269300	No. of screw	4
	318	holes	
Package quantity	5	Diam. of screw	6,6 mm
		holes	
Length	111 mm		
Width	100 mm		
Height	73 mm		
Thread	M50 × 1,5		

CONFIX™ FWS-B 11 bk



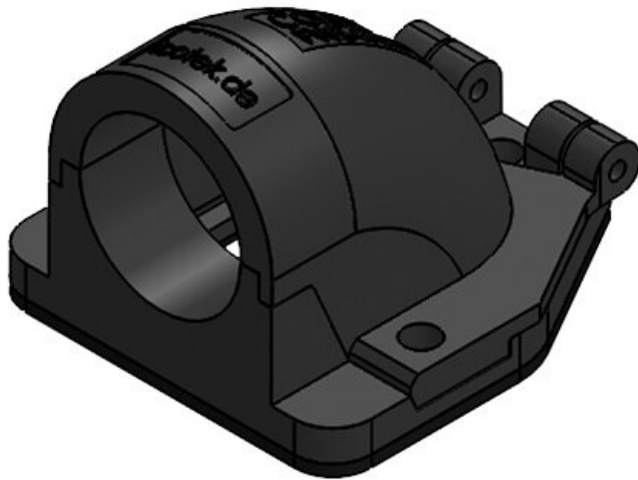
Part No.	31410	Nominal size	NW 13
EAN	4251269300	No. of screw	3
	325	holes	
Package quantity	10	Diam. of screw	4,3 mm
		holes	
Length	49 mm		
Width	45 mm		
Height	32 mm		
Colour	black		

CONFIX™ FWS-B 11 gy



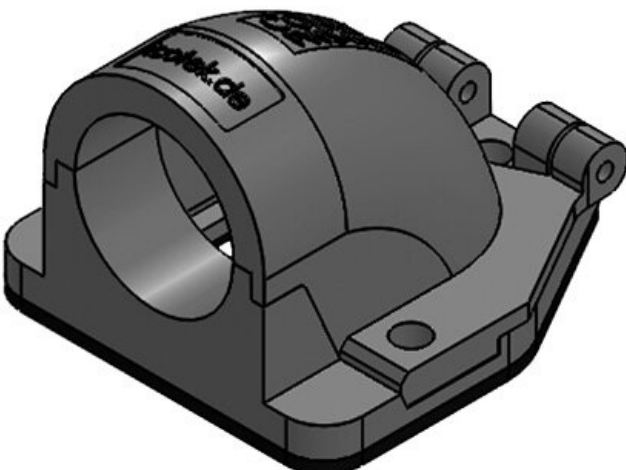
Part No.	31411	Nominal size	NW 13
EAN	4251269300332	No. of screw holes	3
Package quantity	10	Diam. of screw holes	4,3 mm
Length	49 mm		
Width	45 mm		
Height	32 mm		
Colour	grey (RAL 7011)		

CONFIX™ FWS-B 16 bk



Part No.	31413	Nominal size	NW 17
EAN	4251269300349	No. of screw holes	3
Package quantity	10	Diam. of screw holes	4,3 mm
Length	49 mm		
Width	45 mm		
Height	32 mm		
Colour	black		

CONFIX™ FWS-B 16 gy



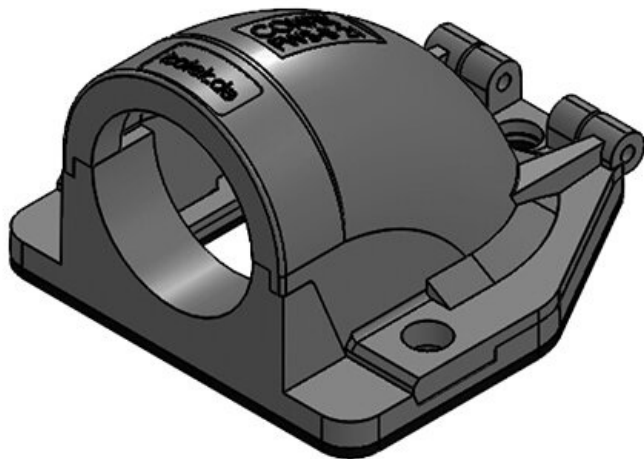
Part No.	31414	Nominal size	NW 17
EAN	4251269300356	No. of screw holes	3
Package quantity	10	Diam. of screw holes	4,3 mm
Length	49 mm		
Width	45 mm		
Height	32 mm		
Colour	grey (RAL 7011)		

CONFIX™ FWS-B 21 bk



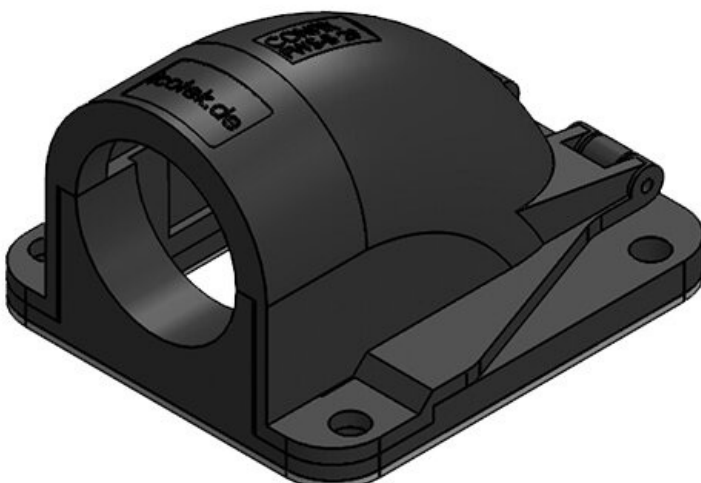
Part No.	31416	Nominal size	NW 23
EAN	4251269300	No. of screw	3
	363	holes	
Package quantity	10	Diam. of screw	6,6 mm
		holes	
Length	67 mm		
Width	63 mm		
Height	41 mm		
Colour	black		

CONFIX™ FWS-B 21 gy



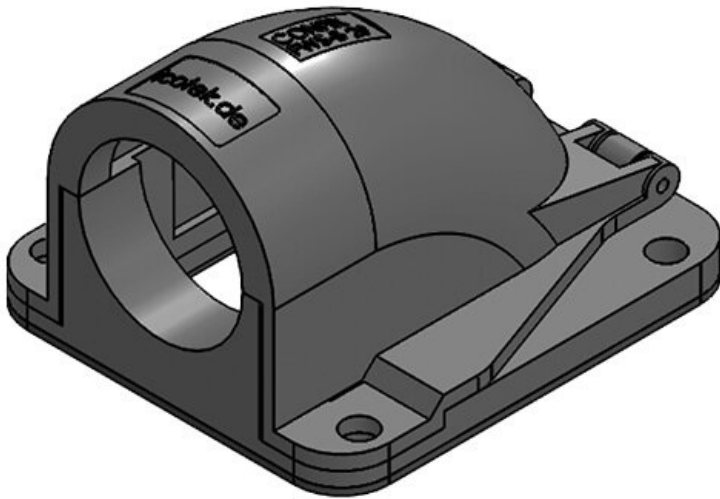
Part No.	31417	Nominal size	NW 23
EAN	4251269300	No. of screw	3
	370	holes	
Package quantity	10	Diam. of screw	6,6 mm
		holes	
Length	67 mm		
Width	63 mm		
Height	41 mm		
Colour	grey (RAL 7011)		

CONFIX™ FWS-B 29 bk



Part No.	31419	Nominal size	NW 29
EAN	4251269300	No. of screw	4
	387	holes	
Package quantity	10	Diam. of screw	6,6 mm
		holes	
Length	85 mm		
Width	76 mm		
Height	51 mm		
Colour	black		

CONFIX™ FWS-B 29 gy



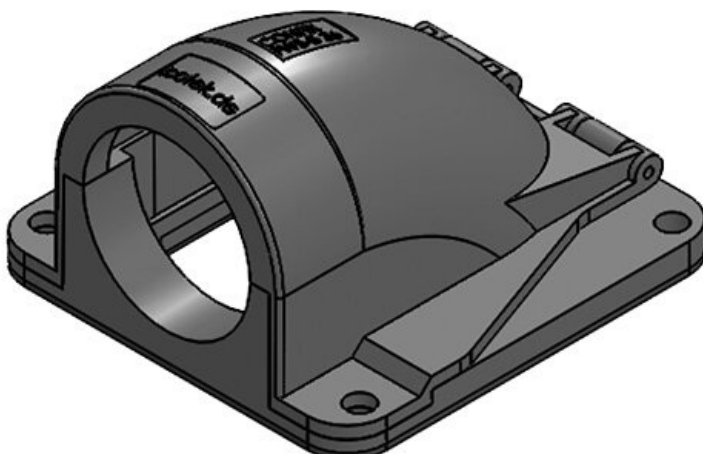
Part No.	31420	Nominal size	NW 29
EAN	4251269300	No. of screw	4
	394	holes	
Package	10	Diam. of screw	6,6 mm
quantity		holes	
Length	85 mm		
Width	76 mm		
Height	51 mm		
Colour	grey (RAL		
	7011)		

CONFIX™ FWS-B 36 bk



Part No.	31422	Nominal size	NW 37
EAN	4251269300	No. of screw	4
	400	holes	
Package	5	Diam. of screw	6,6 mm
quantity		holes	
Length	97 mm		
Width	92 mm		
Height	56 mm		
Colour	black		

CONFIX™ FWS-B 36 gy



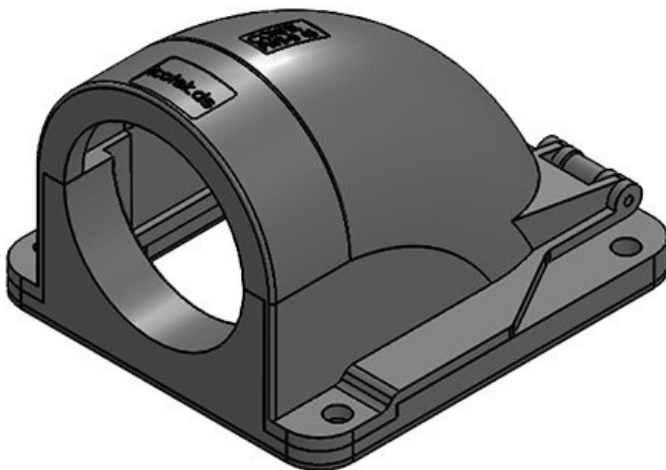
Part No.	31423	Nominal size	NW 37
EAN	4251269300	No. of screw	4
	417	holes	
Package	5	Diam. of screw	6,6 mm
quantity		holes	
Length	97 mm		
Width	92 mm		
Height	56 mm		
Colour	grey (RAL		
	7011)		

CONFIX™ FWS-B 48 bk



Part No.	31425	Nominal size	NW 50
EAN	4251269300	No. of screw	4
	424	holes	
Package quantity	5	Diam. of screw	6,6 mm
		holes	
Length	111 mm		
Width	100 mm		
Height	73 mm		
Colour	black		

CONFIX™ FWS-B 48 gy



Part No.	31426	Nominal size	NW 50
EAN	4251269300	No. of screw	4
	431	holes	
Package quantity	5	Diam. of screw	6,6 mm
		holes	
Length	111 mm		
Width	100 mm		
Height	73 mm		
Colour	grey (RAL 7011)		

icotek[®]
smart cable management